



SUPPLY ONLY AUTO SLIDING DOOR

Door Details

* Please choose from one of the following.

- Option 1 108mm Double Door
- Option 2 108mm Single Door
- Option 3 150mm Double Door
- Option 4 150mm Single door

| Size | A | x | B | C |
|------|---|---|---|---|
| | | | | |
| | | | | |
| | | | | |
| | | | | |

PART 1

Colour Ral

Finish

Standard:

Non Thermal Break

Flush Pull Handle/s

Standard Mid Rail

Hooklock/s

Cylinder/s Type:

Euro

Union

*Standard

Additional Items:

Sensors

Pocket Door/s

B.D.E-D

Threshold/s

Feller

Glazing **Single**

Double

Spec:

Other Special Details *Please specify

| |
|--|
| |
| |
| |
| |

PART 2

Project Details

Client Name:

Client Address

Email:

Delivery Details

*Please deliver to the following address.

Contact:

Provisional Delivery Date:

* Must provide a date for manufacturing planning.

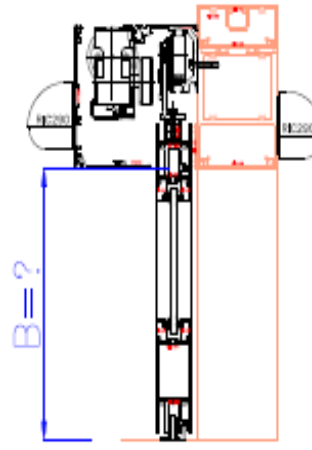
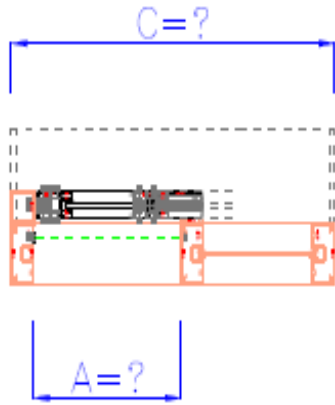
Special Delivery Requirements;

*Please provide details for non standard delivery.

| |
|--|
| |
| |
| |
| |

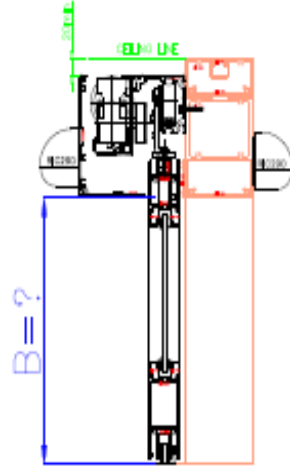
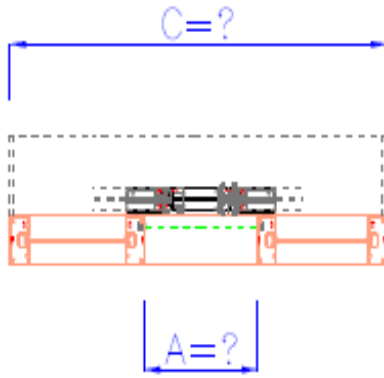
OPTION 4

150mm SINGLE DOOR



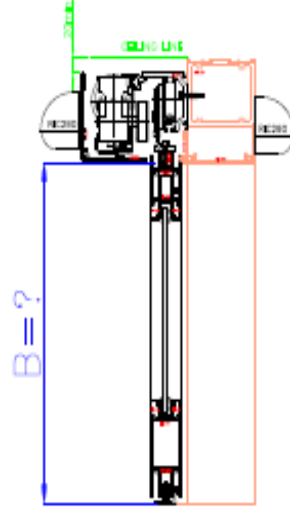
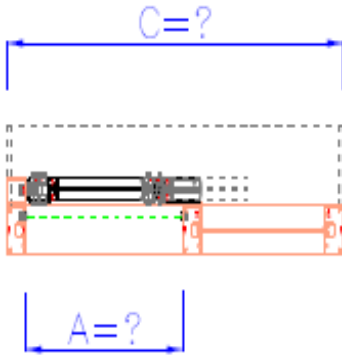
OPTION 3

150mm DOUBLE DOORS



OPTION 2

108mm SINGLE DOOR



OPTION 1

108mm DOUBLE DOOR

