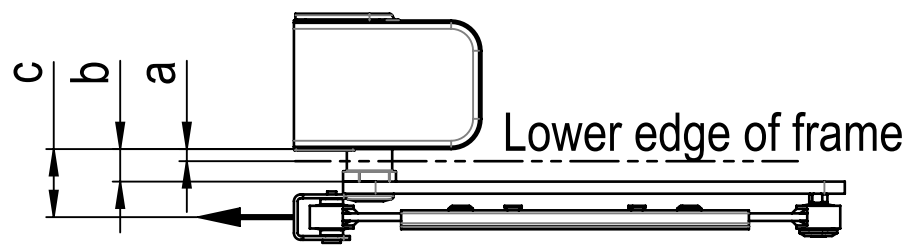
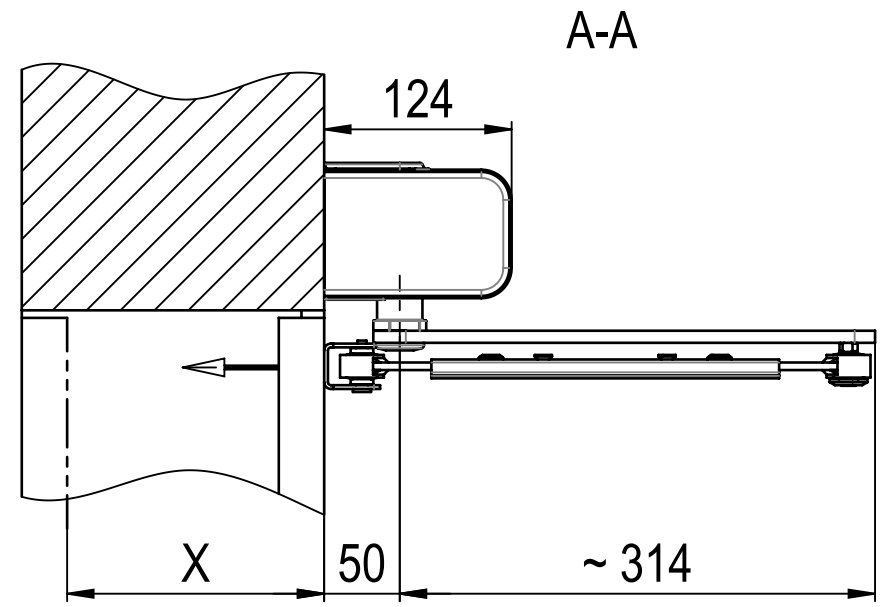
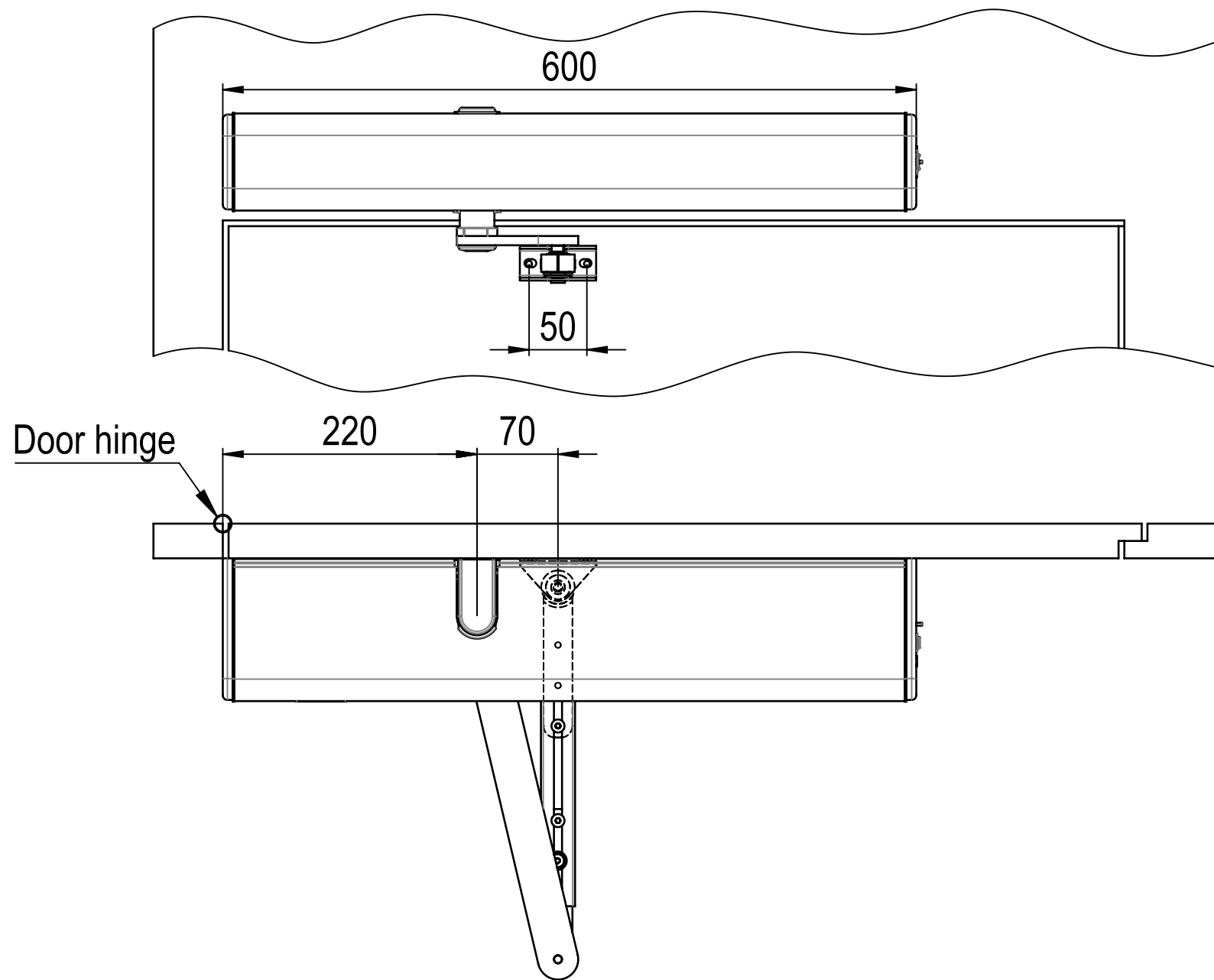


Standardgestänge	MS Hebeladapter				
	20	35	50	65	80
	102-127816013	102-127816014	102-127816016	102-127816015	102-127816017
(Masse in mm)	102-127816085	102-127816086	102-127816087	102-127816088	102-127816089
a	8	23	38	53	68
b	21.5	36.5	51.5	66.5	81.5
c	45	60	75	90	105

*) Die Massangaben beziehen sich auf Unterkante Antrieb. Wird bei der Montage ab Unterkante Chassis gemessen, so sind + 1.5 mm hinzu zu rechnen

Standardgestänge	Sturzmass X (Masse in mm)	Artikelnummer RAL 9006	Artikelnummer RAL 9005
Standardgestänge PUSH-20-230	0 ... 59	102-127815966	102-127816103
Standardgestänge PUSH-20-345	59 ... 174	102-127815967	102-127816105
Standardgestänge PUSH-20-460	174 ... 289	102-127815968	102-127816106
Standardgestänge PUSH-20-575	289 ... 404	102-127816419	102-127816428

		Weight	29.932 kg			
Treatment			Basic			
Material			Reference	-		
General Tolerance			Status	<draft>		
Gestängearten DFA 127 Standardgestänge			A3			
			Scale	released		
			1:5	created	2021-08-23	rp
			⊕	modified	2022-09-23	shaira
agtatec ag CH-8320 Fehraltorf				-		



Standard arms	Lever adapter				
	20	35	50	65	80
	102-127816013	102-127816014	102-127816016	102-127816015	102-127816017
(Dimensions in mm)	102-127816085	102-127816086	102-127816087	102-127816088	102-127816089
a	8	23	38	53	68
b	21.5	36.5	51.5	66.5	81.5
c	45	60	75	90	105

*) The indication of measurements corresponds to the lower edge of the lower operator. If the measure is taken from the lower edge of chassis, +1.5 mm must be added.

Standard arms	Lintel dimension X (Dim. in mm)	Article number RAL 9006	Article number RAL 9005
PUSH-20-230	0 ... 59	102-127815966	102-127816103
PUSH-20-345	59 ... 174	102-127815967	102-127816105
PUSH-20-460	174 ... 289	102-127815968	102-127816106
PUSH-20-575	289 ... 404	102-127816419	102-127816428

		Weight	29.932 kg	
Treatment			Basic	
Material			Reference	-
General Tolerance			Status	<draft>
		A3	released	
Standard arm DFA 127		Scale	1:5	
Standardgestänge DFA 127		created	2021-08-23	rp
		modified	2022-09-23	shaira
agtatec ag CH-8320 Fehraltorf				-