

Automatic Bi-Folding Door Package

Record folding doors and their variants are recognised as design leaders internationally. The standard FTA 20 folding door is excellent for limited spaces, where the use of sliding doors is prohibited, as it maximises your clear opening width. The FTA 20 FBO shares all the same features but can also be used on escape routes, thanks to its optional break-out function.

Applications

Suitable for narrow passageways and entrances in restaurants, kitchens, airports, offices, hospitals, care homes, educational establishments and leisure facilities. Especially suitable as entrance doors in windy conditions.

Key benefits

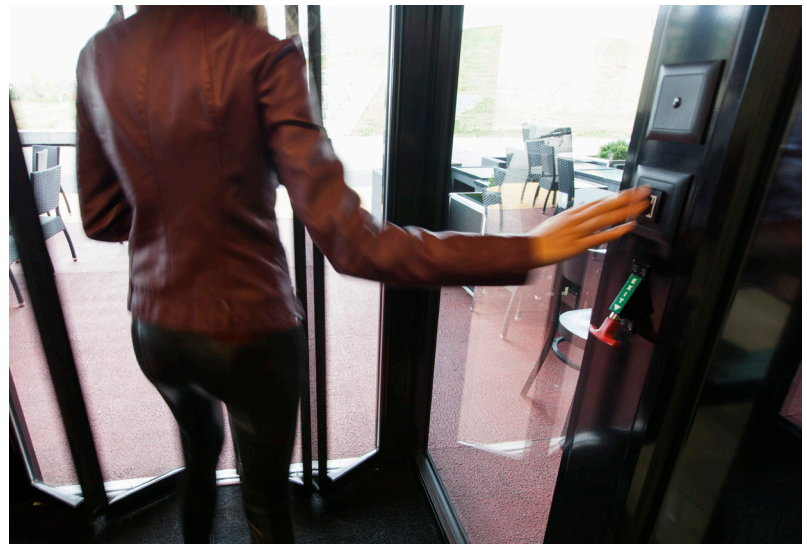
Record FTA 20

- » Ideal for entrances with limited space, the width of the passage can almost be fully retained.
- » These space-saving doors fold inwards negating the need for added room around an entrance.
- » Can be easily retrofitted to save valuable time and money on installation.
- » Excellent for windy environments, as doors remain easy to open and close.
- » Designed to work well when fitted into corridors or to section off areas such as the kitchen to the dining room in a restaurant.
- » Reliable and robust, easier to maintain and service
- » Aesthetically pleasing and compliments all architectural designs.

Record FTA 20 FBO

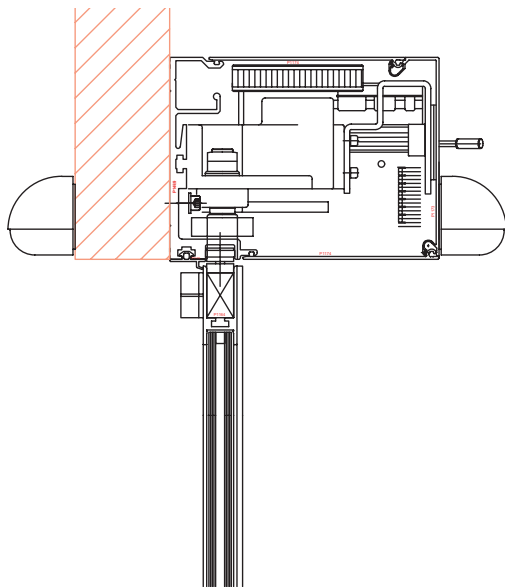
Benefits from all of the above and ...

- » Provides an escape or exit route in narrower or restricted spaces in an emergency.
- » Simply and easy to open – access to escape routes is provided by light pressure on the door panels.
- » Door panels open in the direction of escape, enabling users to exit as quickly as possible.



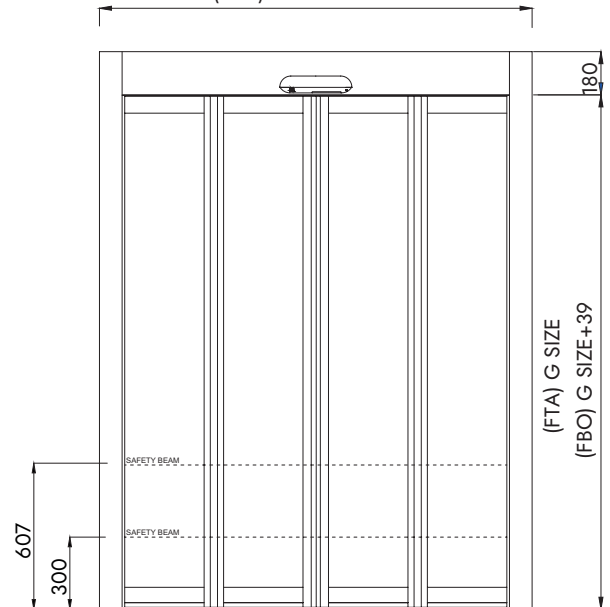
FTA 20/ FTA 20 FBO

Automatic Bi-Folding Door Package



(FTA) F = A+226

(FBO) F = A+302



Key features

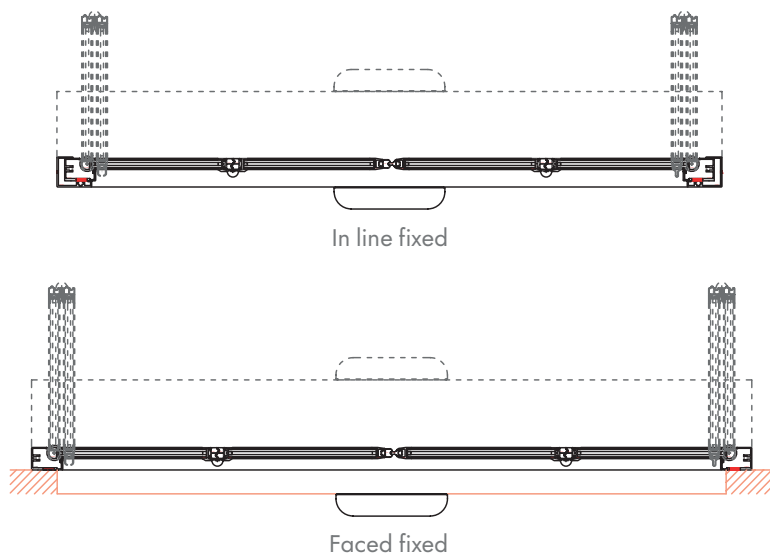
- » Can be used as one-sided or two-sided units, depending on the total width available
- » Available in various dimensions
- » Doors can be retrofitted into the wall
- » For FTA 20 FBO – doors open outwards
- » Hinged doors
- » Controllable parameters such as speed and opening time
- » Easily programmable

Specifications

Door operating speed:	up to 0.7m/s (adjustable)
Operating housing dimension	D x H: 240 x 180 mm
Power supply:	230 V AC / 50 / 60 Hz
Power consumption:	100 W max, 20 W idle mode
Ambient temperature:	- 15 °C to + 50 °C

Recommended application limits: Folding sliding door

Door type:	Single Folding Double Folding
Opening width:	D x H: 240 x 180 mm
Clear passage height:	230 V AC / 50 / 60 Hz
Max. door weight:	100 W max, 20 W idle mode
Recommended application:	- 15 °C to + 50 °C



Operators

- Single Bifold - In-line
- Single Bifold - Faced Fixed
- Double Bifold - In-line
- Double Bifold - Faced Fixed
- Electric Lock

Sensors & Signage Package includes:

Single - inline fixed - FTA-SINGLE-T KIT:

Doors and operator PPC, 1 x BDE-D, 2 x RIC 290, 1 x photocell, 1 x Fem 0, 1 x automatic door (double sided) signs & 1 x keep clear sign.

Single - faced fixed - FTA-SINGLE-S KIT:

Doors and operator PPC, 1 x BDE-D, 2 x RIC 290, 1 x photocell, 1 x Fem 0, 1 x automatic door (double sided) signs & 1 x keep clear sign.

Double - inline fixed - FTA-DOUBLE-T KIT:

Doors and operator PPC, 1 x BDE-D, 2 x RIC 290, 1 x photocell, 1 x Fem 0, 2 x automatic door signs & 2 x keep clear signs.

Double - faced fixed - FTA-DOUBLE-S KIT:

Doors and operator PPC, 1 x BDE-D, 2 x RIC 290, 1 x photocell, 1x Fem 0, 2 x automatic door signs & 2 x keep clear signs.

Excellent for limited spaces where the use of sliding doors is prohibited.



Scan here for more product information